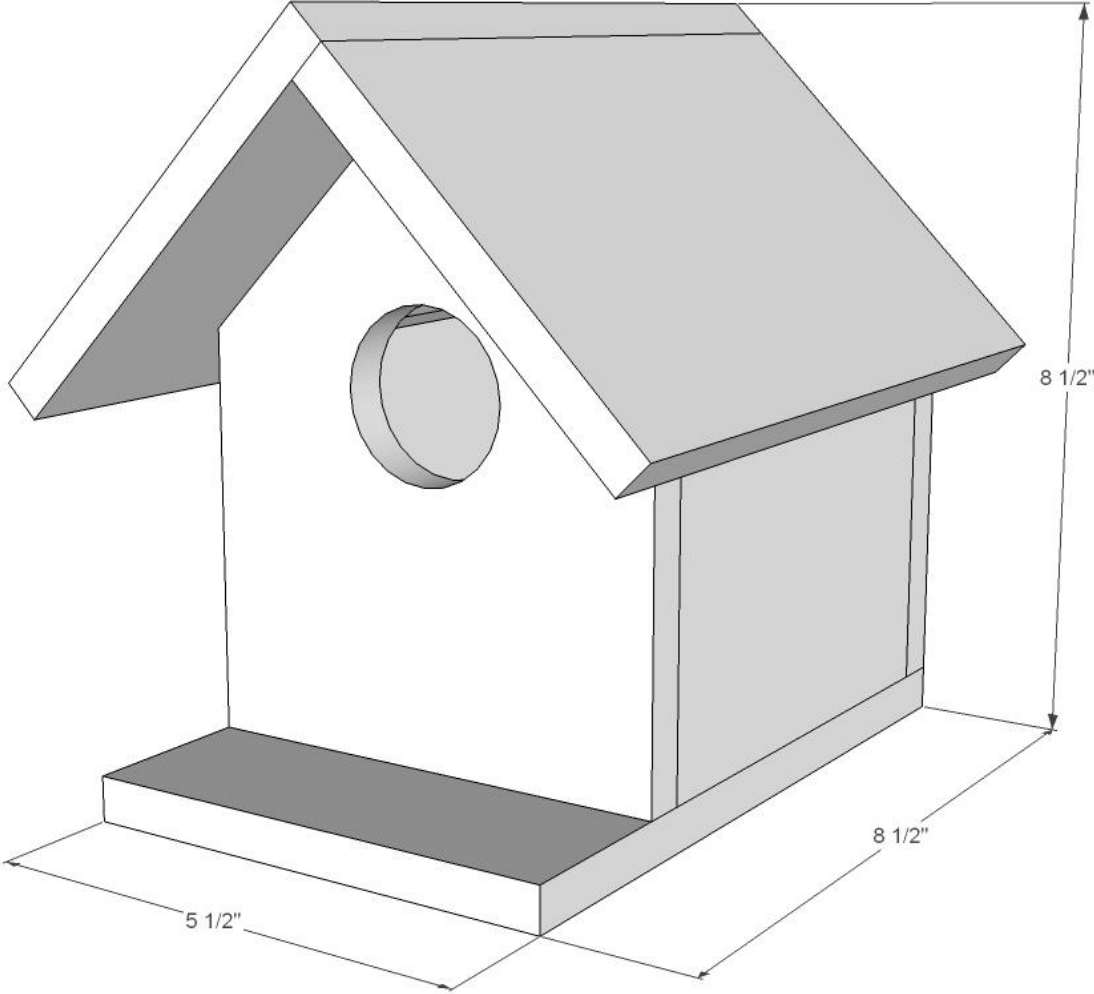


Fence Picket Birdhouse



Dimensions



Dimensions shown above.

Preparation

SHOPPING LIST

1 - 5 1/2" x 1/2" thick fence picket (I used the dogeared 72" long ones)

1 1/4" finish nails

Glue suitable for cedar

CUT LIST

Cut from the Fence Picket:

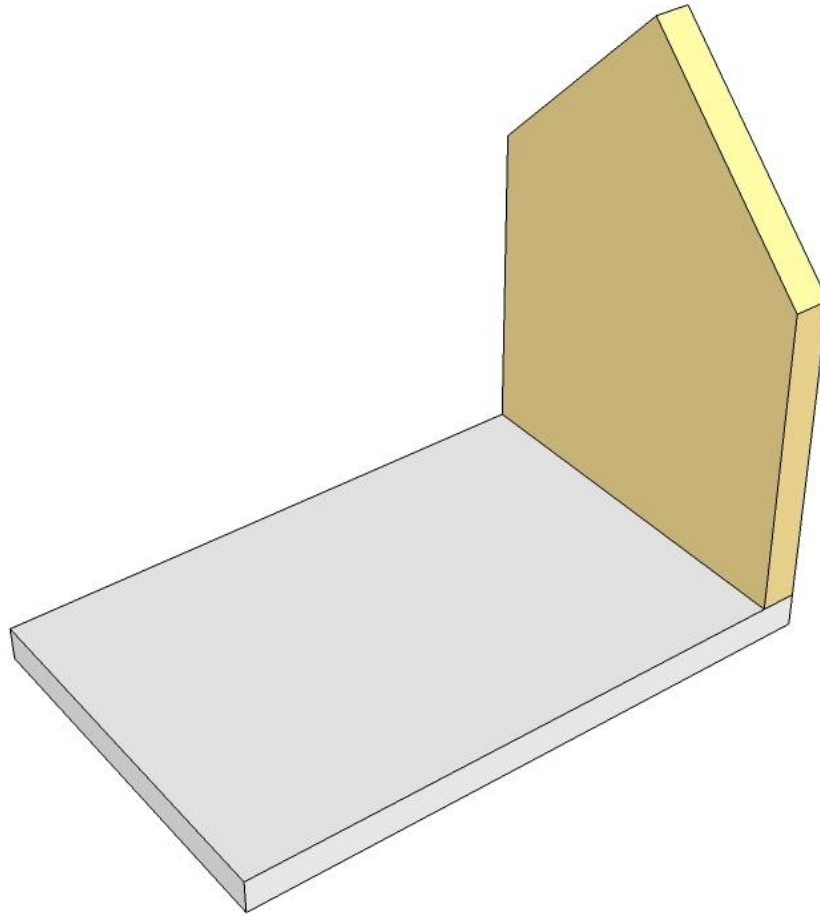
2 - 7 1/4" (front and back - longest point, cut the top corners off at a 45-degree angle to make a house shape)

2 - 4 1/4" (side walls - these are just a tiny bit short to allow venting inside birdhouse)

3 - 8 1/2" (floor and roof pieces. Also rip 1/2" off one edge (cutting with the grain the long way) of one board for the shorter roof piece - see step 4)

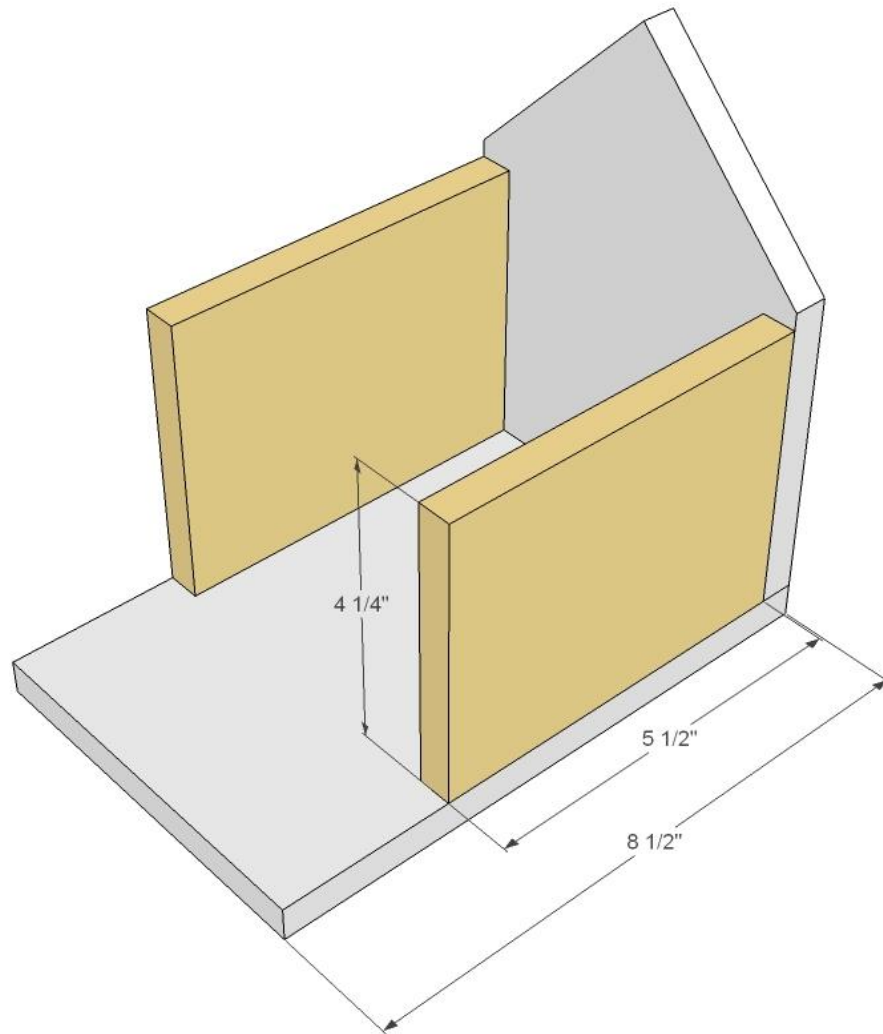
Instructions

STEP 1



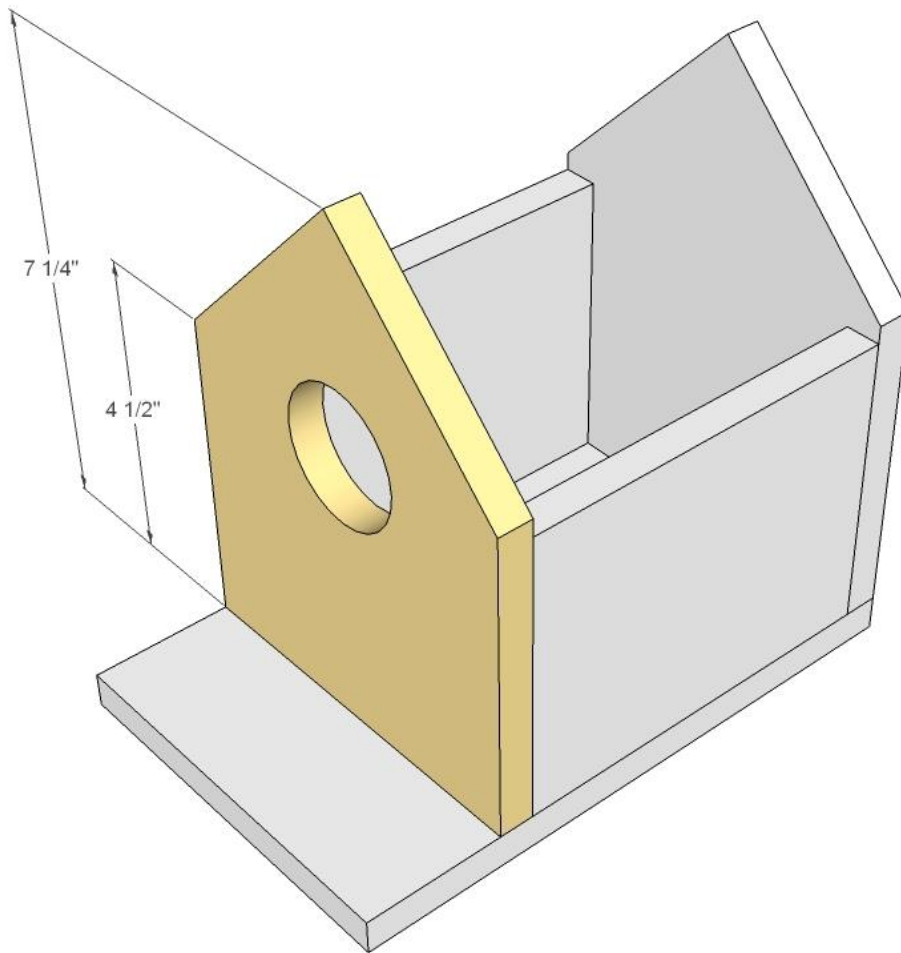
Attach the floor to the back wall, with back edges flush.

STEP 2



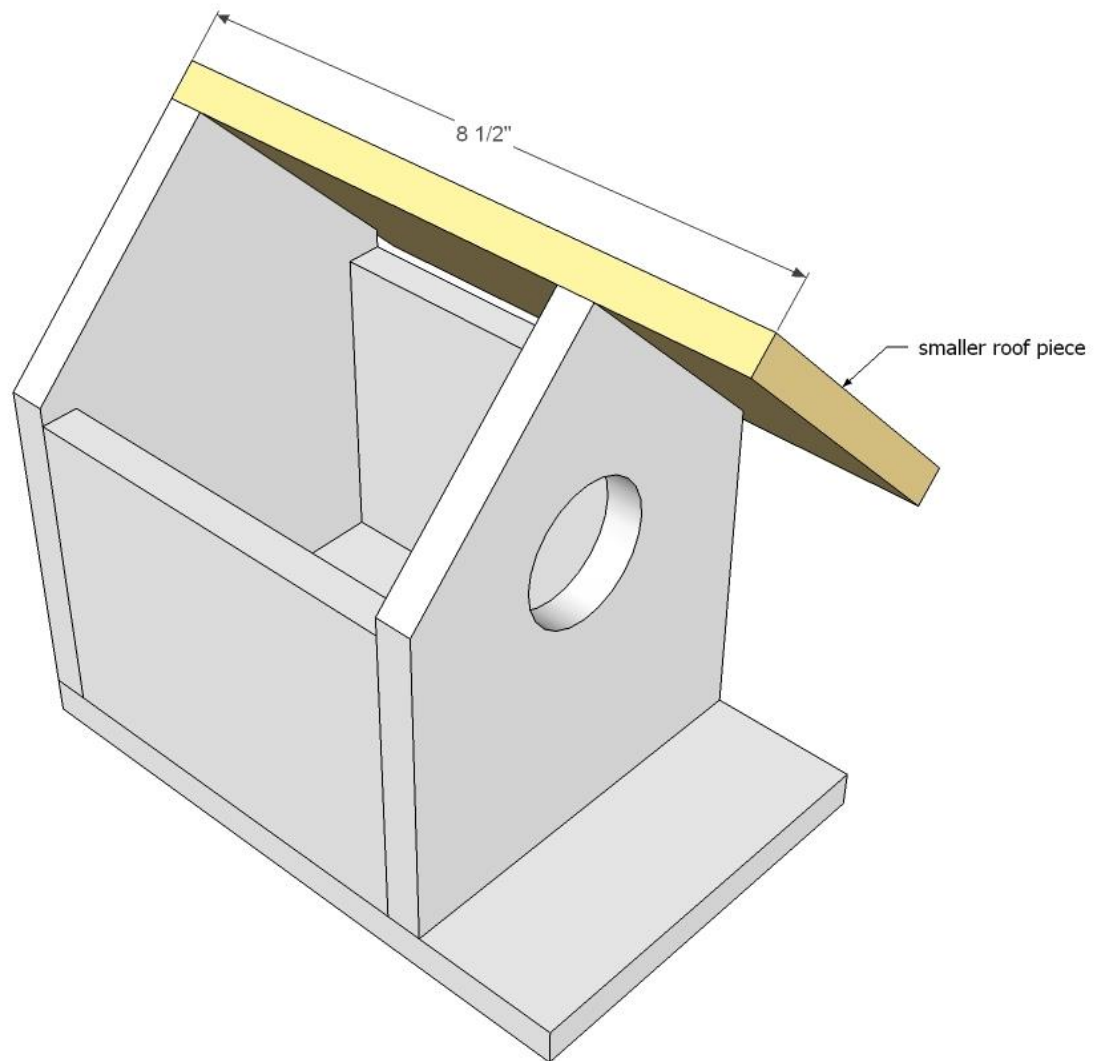
Attach side walls to back wall and floor.

STEP 3



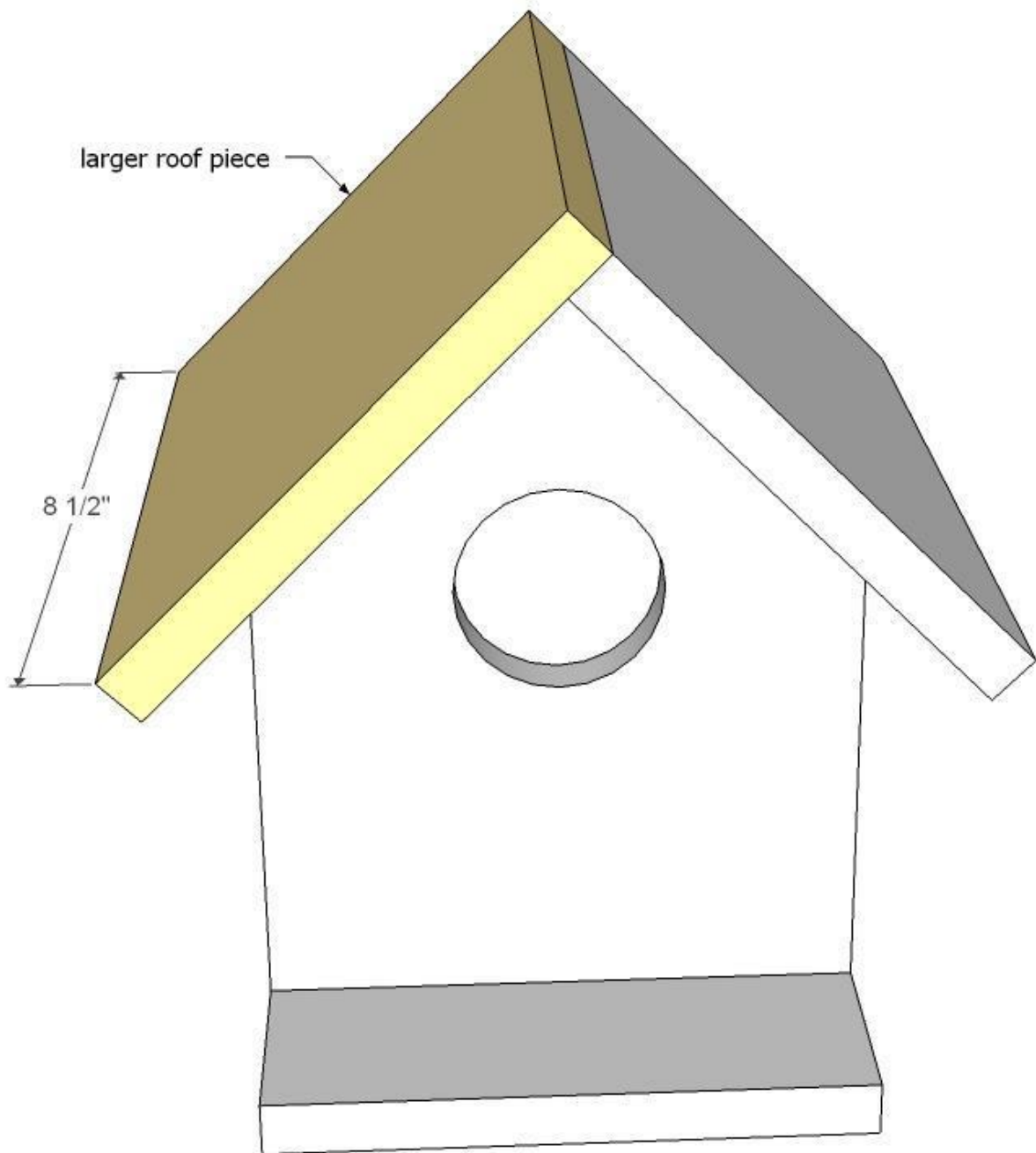
Attach front wall to sides and floor. Note that I drilled the whole afterwards with a 2" bit.

STEP 4



One of the roof pieces needs to be $\frac{1}{2}$ " (or thickness of the fence pickets) less in width than the other since the overlap. Rip $\frac{1}{2}$ " off one long side (cutting with the grain) on one of the roof pieces. Attach to front and back top edges.

STEP 5



Finishing/Preparation Instructions

Fill all holes with wood filler and let dry. Apply additional coats of wood filler as needed. When wood filler is completely dry, sand the project in the direction of the wood grain with 120 grit sandpaper. Vacuum sanded project to remove sanding residue. Remove all sanding residue on work surfaces as well. Wipe project clean with damp cloth.