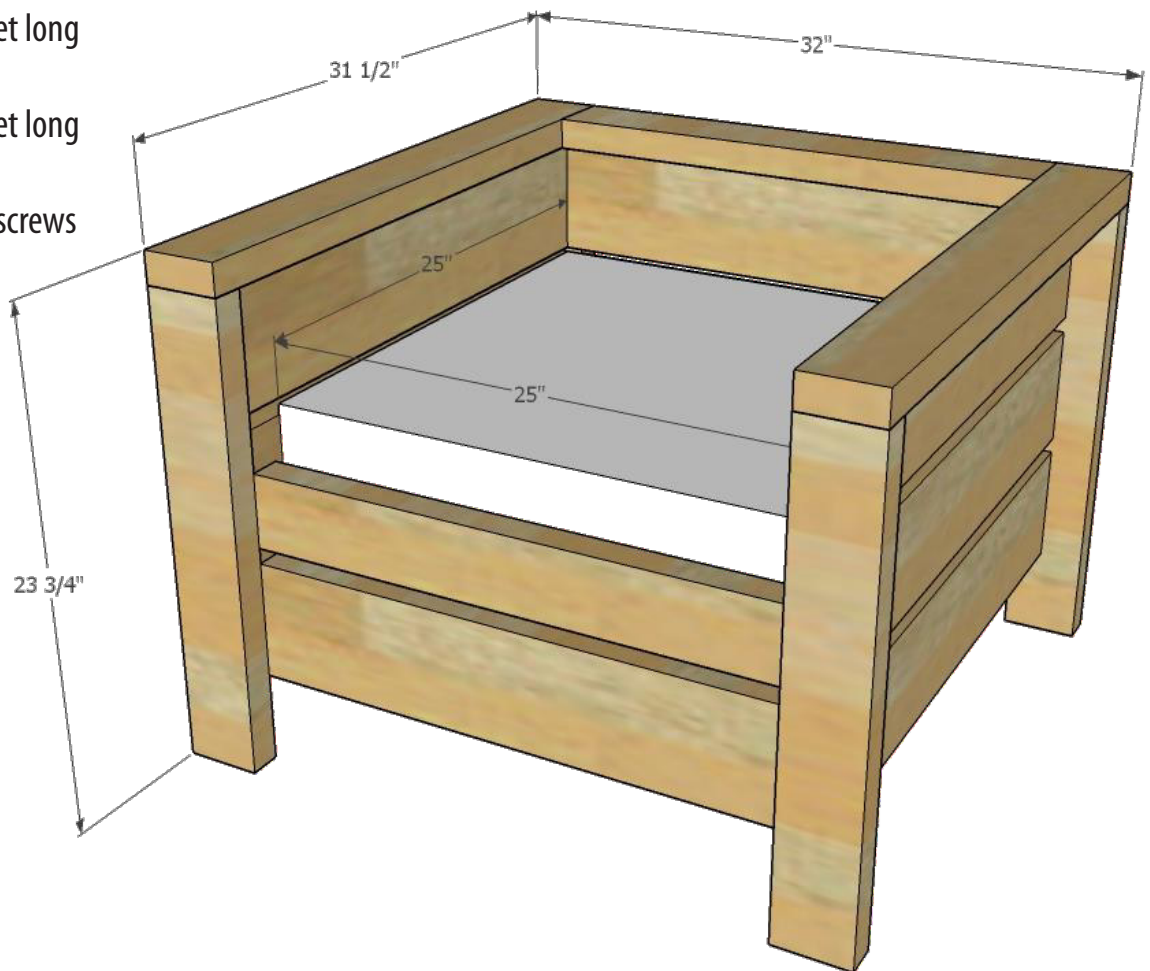


# Modern Outdoor Chair

## SHOPPING LIST

- 4 - Culpeper 2x4 @ 8 feet long
- 4 - Culpeper 2x6 @ 8 feet long
- 2 ¾" self-tapping deck screws
- 25" x 25" seat cushion  
(can also adjust plans to fit any size cushion)
- Exterior Glue

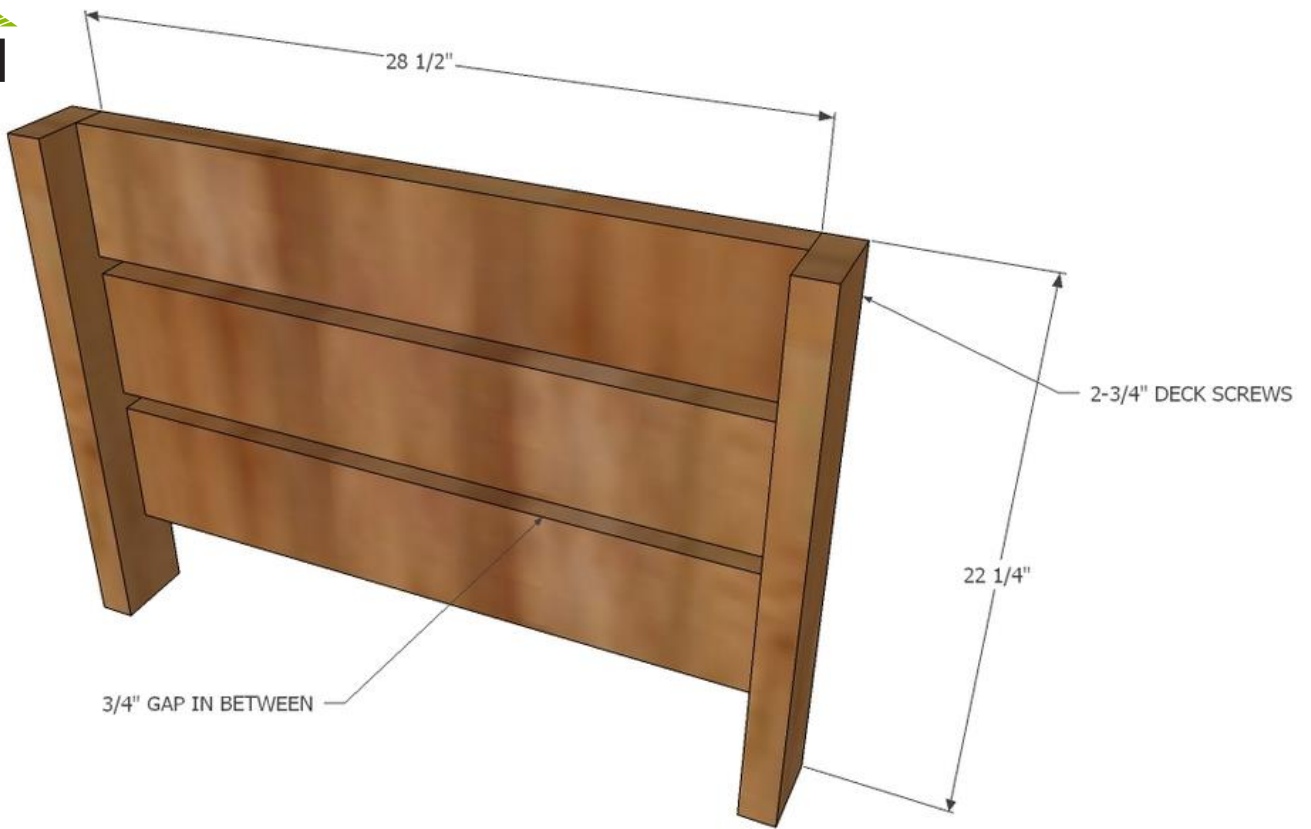


## CUT LIST

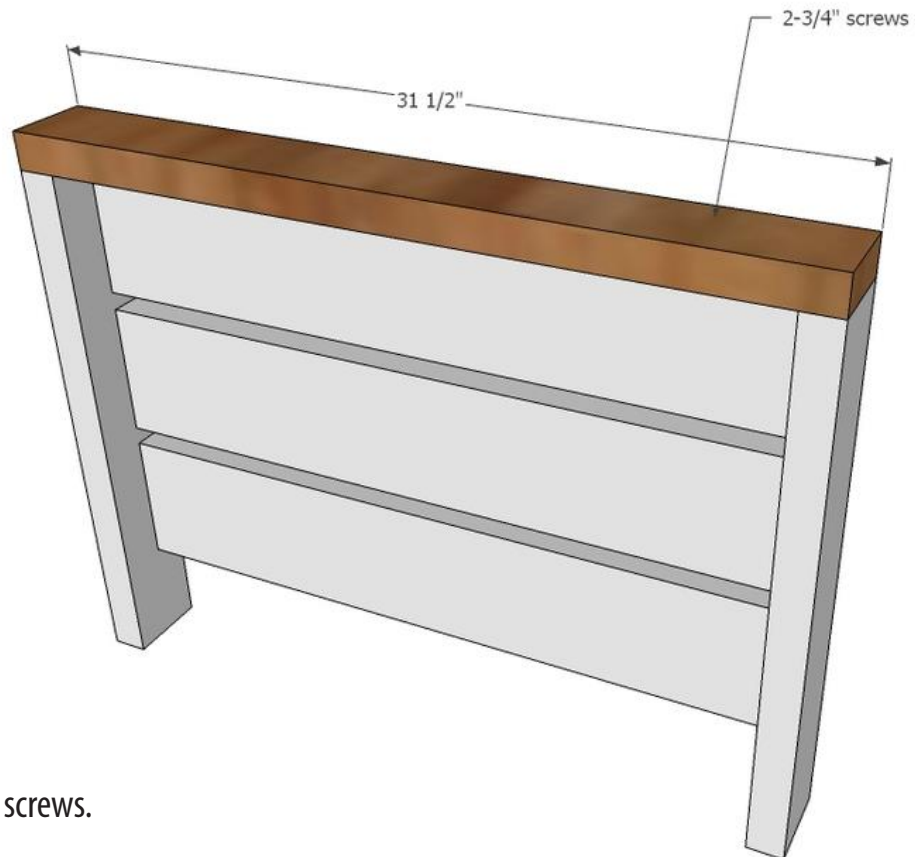
CUT LIST PER ONE CHAIR, DESIGNED TO FIT 25" x 25" CUSHION

- 4 - 2x4 @ 22-1/4" - Legs
- 6 - 2x6 @ 28-1/2" - Side Slats
- 2 - 2x4 @ 31-1/2" - Arm Rests
- 4 - 2x6 @ 25" - Front and Back Slats
- 2 - 2x4 @ 25" - Front Top Slat and Back Top
- 2 - 2x2 @ 25-1/2" - Inside Cleat
- 5 - 2x4 @ 25" - Seat Slats (can get away with just 4)

# STEP 1



Use 2 -  $2 \frac{3}{4}$ " or longer screws and exterior wood glue to attach legs to the longer 2x6 boards, with  $\frac{3}{4}$ " spacing in between. Recommend two screws per joint.

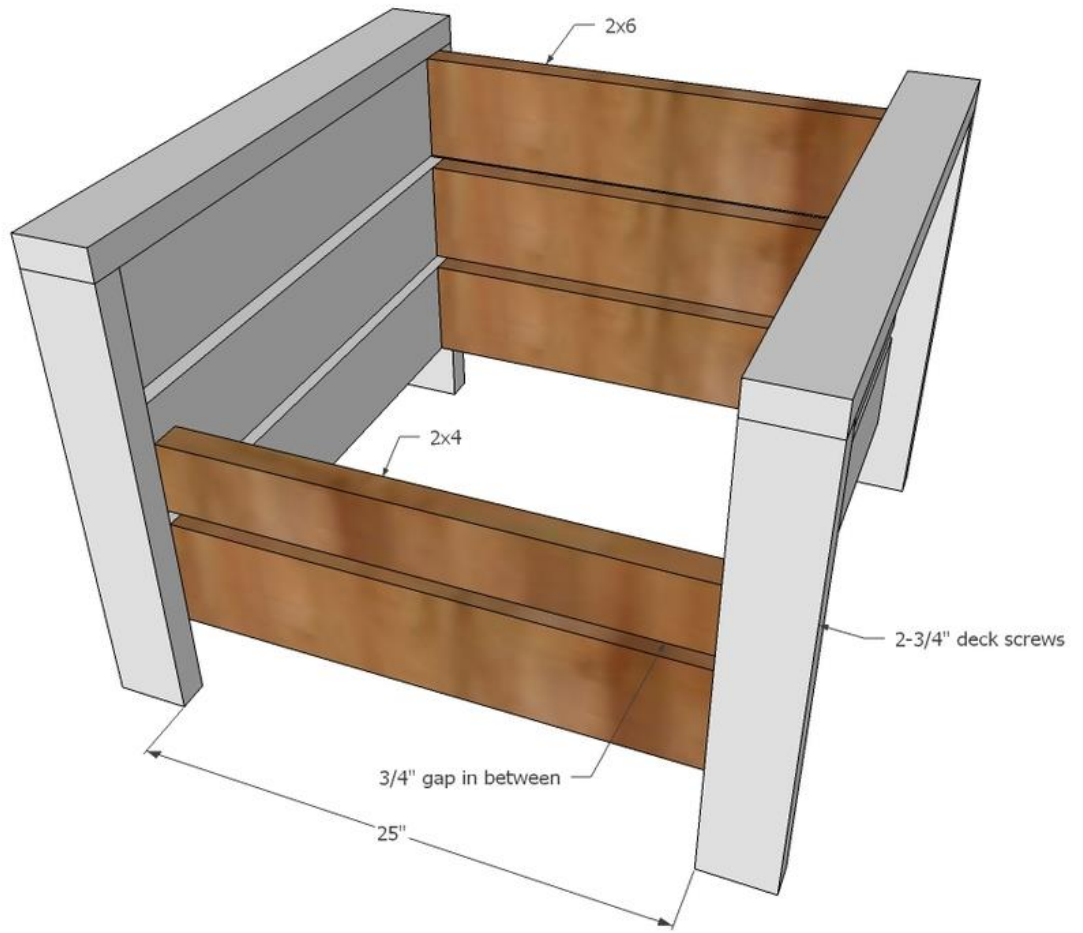


# STEP 2

Attach top with glue and  $2 \frac{3}{4}$ " screws.

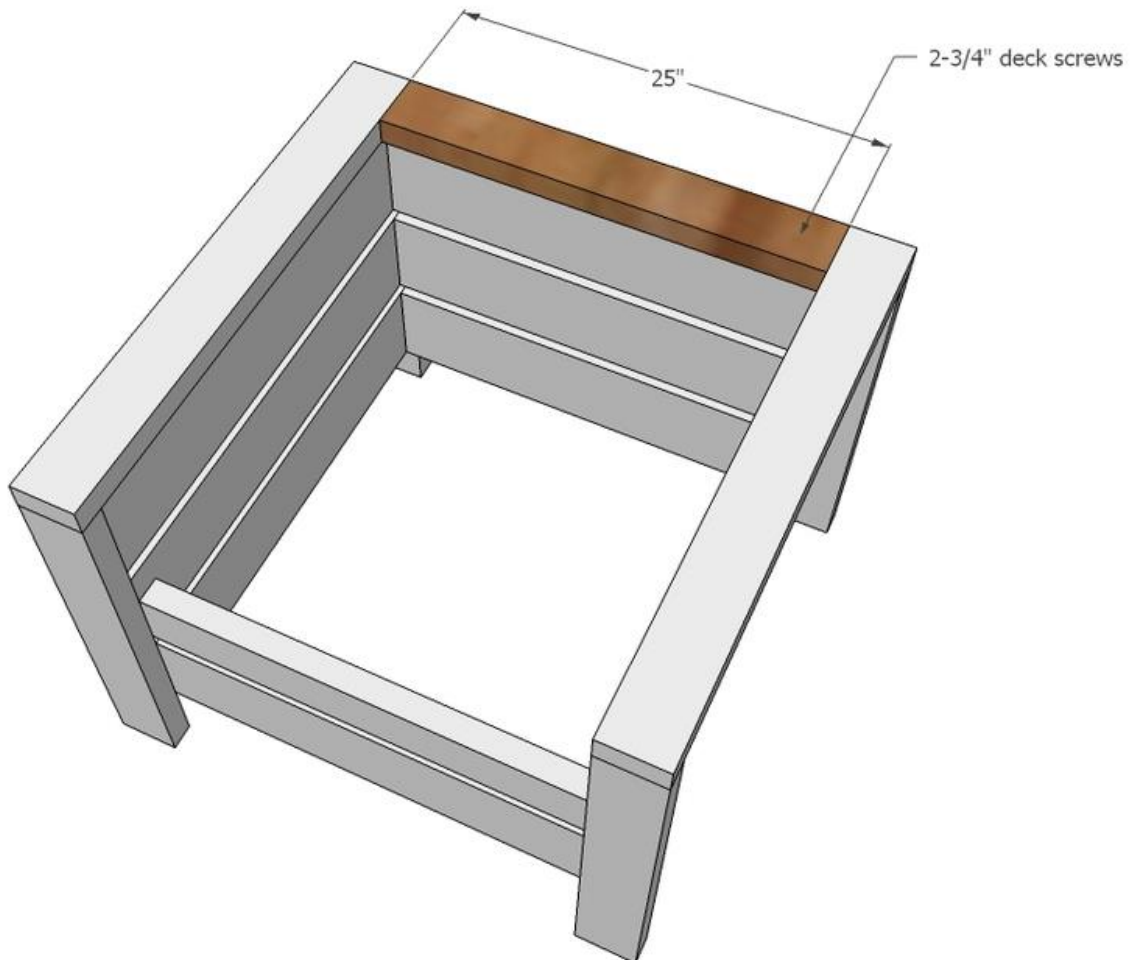
### STEP 3

Attach front and back slats to arms to create the frame of the chair.

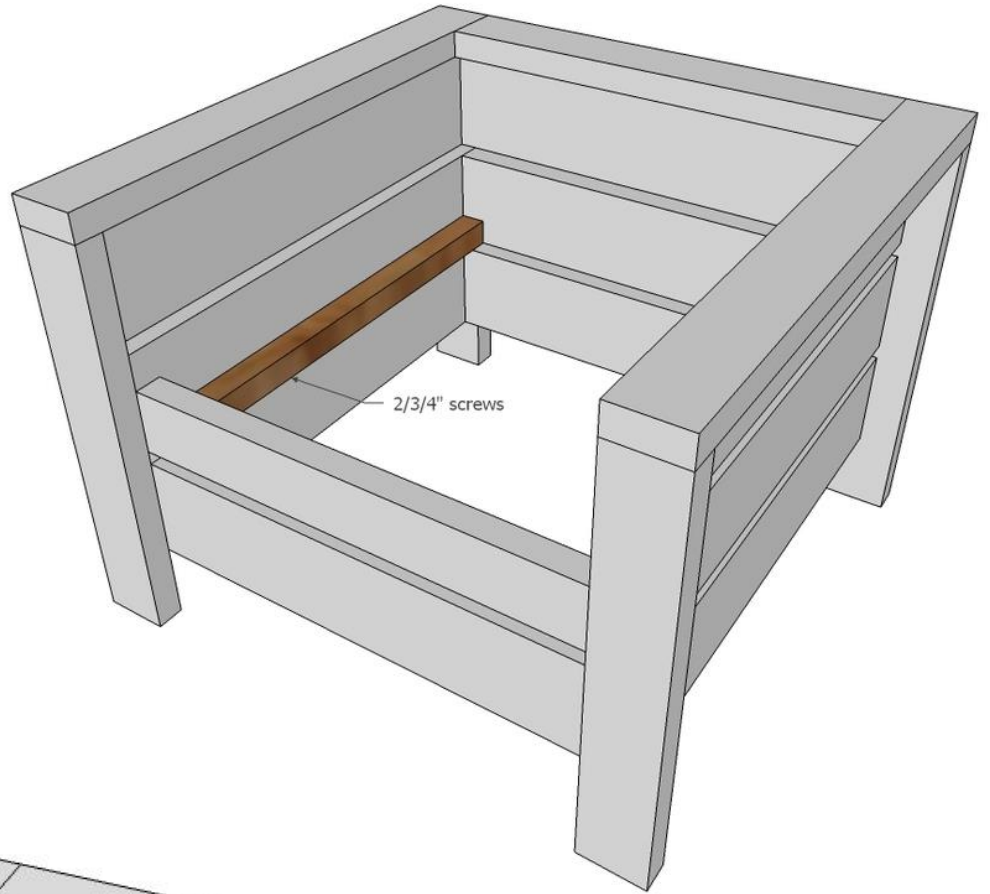


### STEP 4

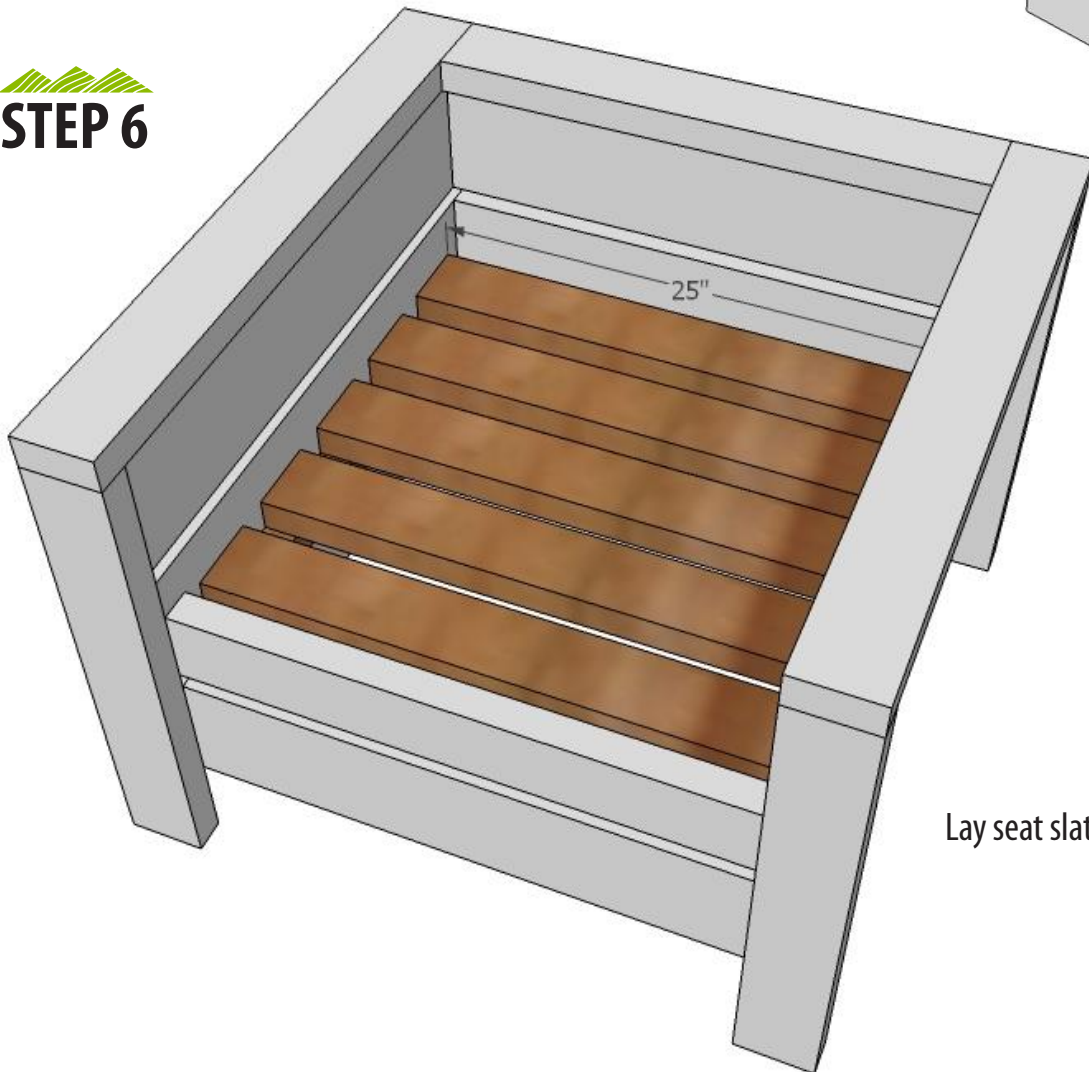
Attach back top piece \ screws and glue.



**STEP 5**



**STEP 6**



Lay seat slats on cleats and screw down.